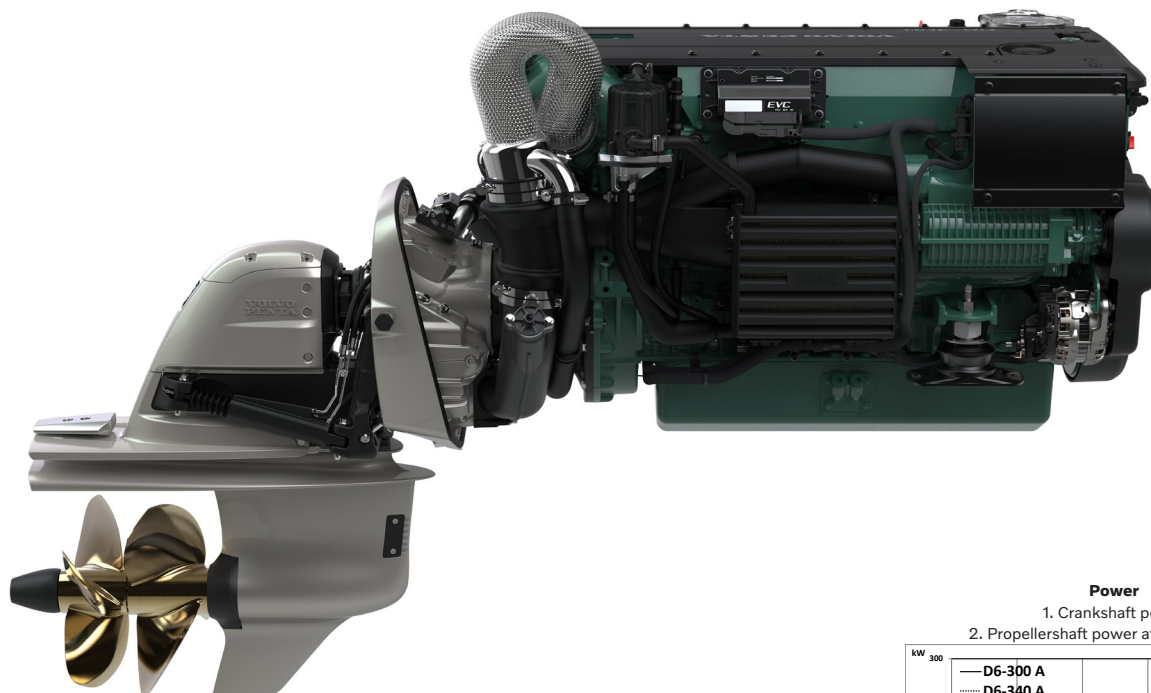


## VOLVO PENTA AQUAMATIC DUOPROP

# D6-300/340/380/400 DPH

5.5 liter, in-line 6 cylinder



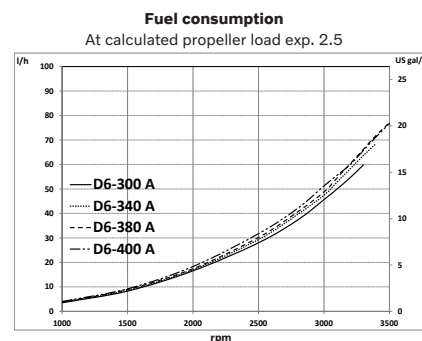
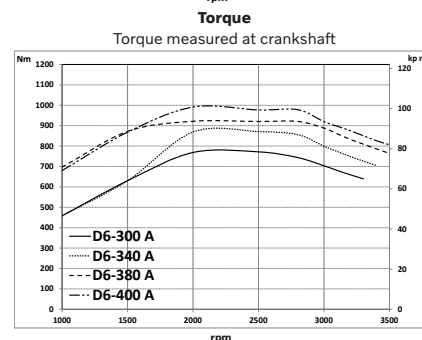
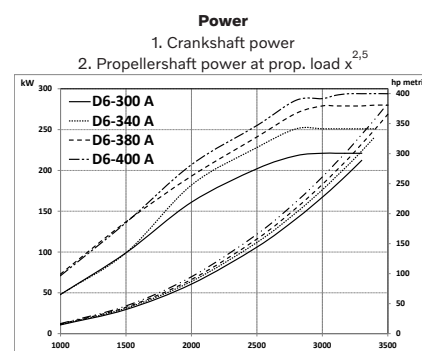
### Technical Data

Product designation	D6-300 A	D6-340 A	D6-380 A	D6-400 A
Crankshaft power, kW (hp)	221 (300)	250 (340)	280 (380)	294 (400)
Propeller shaft power, kW (hp)	212 (289)	241 (327)	269 (366)	282 (384)
Engine speed, rpm	3300	3400	3500	3500
Engine displacement, l (in <sup>3</sup> )	5.50 (335.6)	5.50 (335.6)	5.50 (335.6)	5.50 (335.6)
Engine configuration	in-line 6	in-line 6	in-line 6	in-line 6
Aspiration	turbo, after cooler	turbo, after cooler	turbo, after cooler, compressor	
Rating	R4*	R4*	R4*	R5**
Dry weight with driveline, kg (lb)	745 (1642)	745 (1642)	760 (1676)	780 (1720)
Propeller series	G2 - G10	G2 - G10	G2 - G10	G2 - G10
Ratio	1.69:1	1.69:1	1.69:1	1.59:1
Voltage	12V	12V	12V	12V
Emission compliance	IMO NOx, EU RCD Stage II, US EPA Tier 3			
Speed range, kn	25 - 50	25 - 50	25 - 50	25 - 50

Technical data according to ISO 8665. With fuel having an LHV of 42700 kJ/kg and density of 840 g/liter at 15°C (60°F). Merchant fuel may differ from this specification which will influence engine power output and fuel consumption.

\*RATING 4. For light planing craft in commercial operation.

\*\*RATING 5. For pleasure craft applications, and can be used for high speed planing crafts in commercial applications.



# D6-300/340/380/400 DPH

5.5 liter, in-line 6 cylinder

## Technical description

### Engine block and head

- Cylinder block and cylinder head made of cast iron
- Ladder frame fitted to engine block
- 4-valve technology with hydraulic lash adjusters
- Double overhead camshafts
- Oil-cooled pistons with two compression rings and one oil scraper ring
- Integrated cylinder liners
- Seven bearing crankshaft
- Rear end camshaft transmission

### Engine mounting

- Flexible engine mounting

### Lubrication system

- Replaceable separate full-flow and bypass oil filter
- Seawater cooled tubular oil cooler
- Oil level and oil temperature sensors
- Crankcase oil separator, maintenance free unit

### Fuel system

- Common rail injection system, 2000 bar
- Electronically controlled central processing system (EMS – Engine Management System)
- Fuel pressure sensor that indicates clogging in fuel filters

- Single fine fuel filter of spin-on type, with water separator and water in fuel alarm

### Air inlet and exhaust system

- Belt driven compressor with silencer (no compressor on 300hp and 340hp)
- Air filter with replaceable insert
- Crankcase gases vented into the air inlet
- Exhaust elbow or exhaust riser
- Turbocharger, freshwater cooled
- Loss of seawater alarm

### Cooling system

- Thermostatically regulated freshwater cooling
- Seawater cooled tubular heat exchanger
- Coolant system prepared for hot water outlet
- Seawater impeller pump
- Engine mounted seawater strainer

### Electrical system

- Marine alternator (12V/150A or 24V/80A) prepared for Puls Width Modulation (PWM)
- Automatic fuses for engine, transmission and EVC
- Auxiliary stop switch in front of engine
- Engine available as 12V
- Power connections and fuses co-located in one connection box on engine

### Electronic Vessel Control (EVC)

- Fully integrates the engines, electronics and EVC features with Glass Cockpit
- Electronic shift and throttle as standard
- Support for Easy Connect app
- Maintenance Assistant with service alert

### Drive

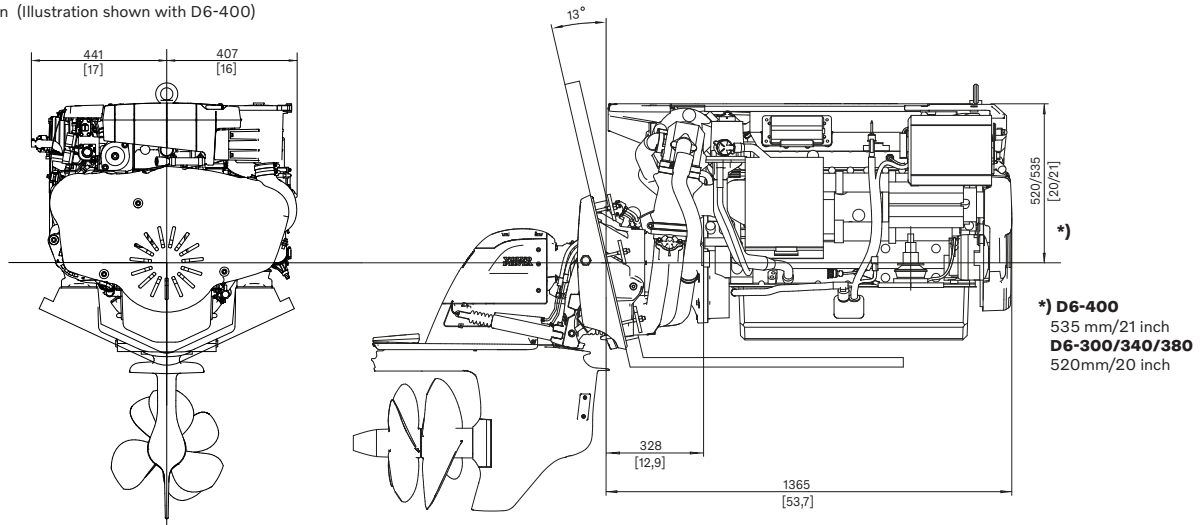
- Complete with transom shield, and installation components
- Max tilt angle 50° (adjustable)
- Protective aluminum anodes to prevent corrosion
- Built-in kick-up function to reduce possible damage, in the event the drive strikes an underwater object
- Electrical shifting performed by electronic actuator
- Fully integrated water inlet and exhaust system
- G-series propellers, isolated to prevent corrosion and with line cutters as standard
- Compatible with 12V

### Option

- U.S.C.G./MED (SOLAS) available as option

## Dimensions D6-300, D6-340, D6-380, D6-400

Not for installation (Illustration shown with D6-400)



Not all models, standard equipment and accessories are available in all countries. All specifications are subject to change without notice. The engine illustrated may not be entirely identical to production standard engines.

Contact your local Volvo Penta dealer for more information regarding Volvo Penta engines and optional equipment/accessories or visit [www.volvopenta.com](http://www.volvopenta.com)

# VOLVO PENTA

AB Volvo Penta

SE-405 08 Göteborg, Sweden  
[www.volvopenta.com](http://www.volvopenta.com)



IOS



Android

Download the Volvo Penta dealer locator App for your iPhone or Android